

# H16Z7516DC

**16X 7.5mm - 120mm F1.6**  
**for 1/2 type Cameras, Motorized Zoom**  
**C-Mount**

with DC Auto Iris

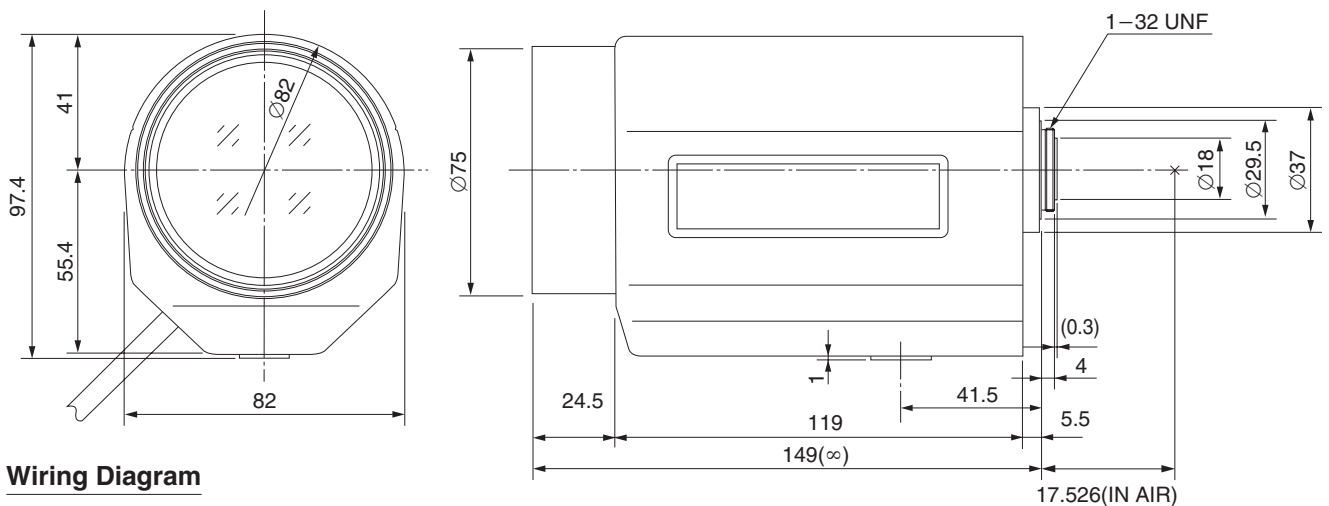
Model No.	H16Z7516DC		Effective	Front	Ø66.4mm		
Focal Length	7.5mm - 120mm		Lens Aperture	Rear	Ø13.5mm		
Max. Aperture Ratio	1:1.6		Back Focal Length		14mm		
Max. Image Format	6.4mm x 4.8mm(Ø8mm)		Flange Back Length		17.526mm		
Operation Range	Iris	F1.6 - F560C		Mount	C-Mount		
	Focus	1.5m - Inf.		Filter Size	M72 P=0.75mm		
	Zoom	7.5mm - 120mm		Tripod Screw	1/4 - 20UNC		
Control	Iris	DC Auto Iris		Dimensions	W82mm x H96.4mm x D149mm		
	Focus	Motorized		Weight	1010g		
	Zoom	Motorized					
Object Dimension at M.O.D.	7.5mm	129.2cm x 95.5cm					
	120mm	8.4cm x 6.3cm					
Angle of View	D	1/2 type	57.2° - 3.9°	1/3 type	43.8° - 3.0°	1/4 type	33.1° - 2.2°
	H		46.6° - 3.2°				26.6° - 1.8°
	V		35.3° - 2.4°				20.0° - 1.35°
		Iris		Focus		Zoom	
Supply Voltage	—		DC8V		DC8V		
Current	—		45mA or less		35mA or less		
Response Time	—		Approx. 3.5 sec.		Approx. 3.5 sec.		
Preset Potentiometer	—		5kQVR		5kQVR		
Coil	Drive	190Ω					
	Control	1000Ω					
Operating Temperature	-10°C - +50°C						

1/2 type

C

M.O.D. : Minimum Object Distance

## Dimensions



## Wiring Diagram

