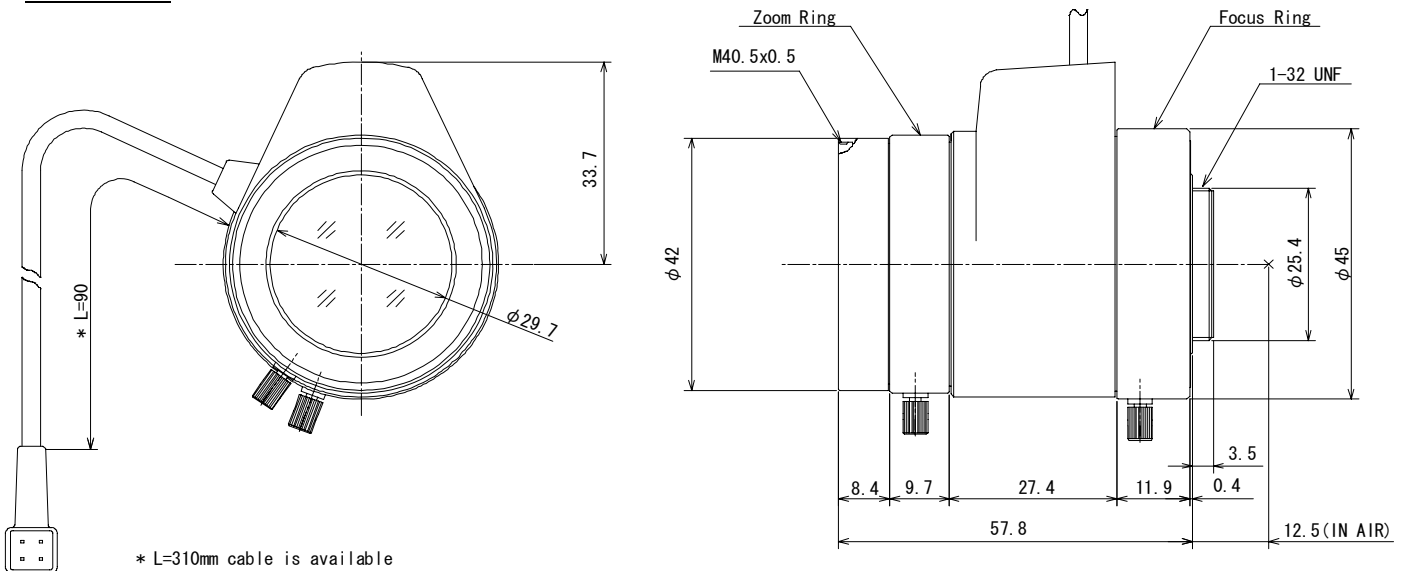


TG10Z0513FCS-3

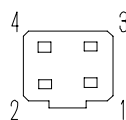
10X 5mm-50mm F1.3
for 1/3 type Cameras, Vari-focal Auto Iris DC Drive
CS-Mount

Model No.	TG10Z0513FCS-3		Effective	Front	φ 29.5mm	
Focal Length	5mm - 50mm		Lens Aperture	Rear	φ 8.7mm	
Max. Aperture Ratio	1:1.3		Back Focal Length	Tele	10.6mm	
Max. Image Format	3.6mm x 4.8mm (φ 6mm)			Wide	10.5mm	
Operation Range	Iris	F1.3 - F360C		Flange Back Length	12.5mm	
	Focus	0.8m - Inf.		Mount	CS-Mount	
	Zoom	5mm - 50mm		Filter Size	M40.5 P=0.5mm	
Control	Iris	DC Auto Iris		Dimensions	φ 45mm x56.2mm x57.8mm	
	Focus	Manual		Weight	100.3g	
	Zoom	Manual				
Angle of View	D	1/3 type	64.0° - 6.9°	1/4 type	48.8° - 5.3°	
	H		51.8° - 5.6°		39.2° - 4.3°	
	V		39.2° - 4.3°		29.5° - 3.2°	
Coil	Drive	190 Ω				
	Control	1000 Ω				
Operating Temperature	-10°C - +50°C					

Dimensions



Wiring Diagram



Pin No.

1	BROWN	Control(-)
2	RED	Control(+)
3	YELLOW	Drive (+)
4	ORANGE	Drive (-)



Head Quarters
2-15-13, Tsukishima, Chuo-ku, Tokyo 104-0052, Japan
Tel: +81 (0)3 3536 4851 Fax: +81 (0) 3 3536 4841
http://www.cbc.co.jp

Specification is subject to change without any notice.



2009.07

Tokyo HQ Registered