

TG4Z2813FCS

4X 2.8mm - 12mm F1.3
for 1/3 type Cameras, Vari-focal Auto Iris DC Drive
CS-Mount

with Focus, w/o Amplifier

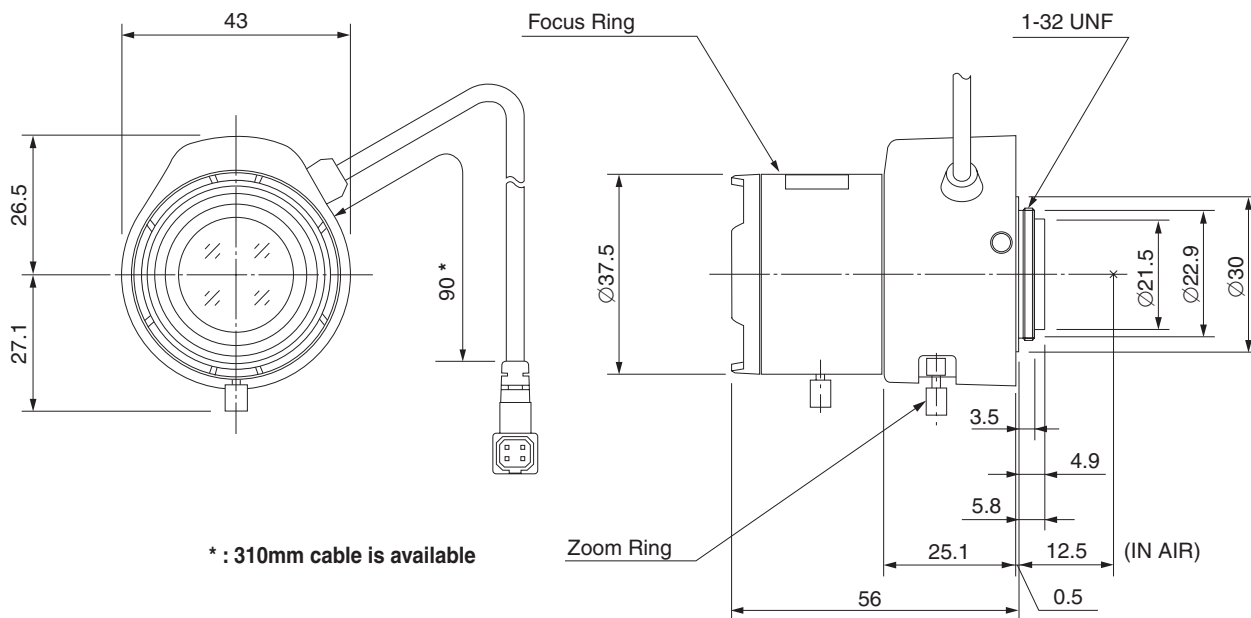
1/3
type

Model No.	TG4Z2813FCS		Effective	Front	Ø22.0mm	
Focal Length	2.8mm - 12mm		Lens Aperture	Rear	Ø8.8mm	
Max. Aperture Ratio	1:1.3		Back Focal	Tele	20.2mm	
Max. Image Format	4.8mm x 3.6mm(Ø6mm)		Length	Wide	8.1mm	
Operation Range	Iris	F1.3 - F360	Flange Back Length	12.5mm		
	Focus	0.3m - Inf.	Mount	CS-Mount		
	Zoom	2.8mm - 12mm	Filter Size	—		
Control	Iris	DC Auto Iris	Dimensions	Ø37.5mm x 48mm x 56mm		
	Focus	Manual	Weight	69g		
	Zoom	Manual				
Object Dimension at M.O.D.	2.8mm	69.3cm x 44.9cm				
	12mm	12.6cm x 9.4cm				
Angle of View	D	1/3 type	121.8° - 29.6°	1/4 type	92.1° - 22.2°	
	H		98.2° - 23.8°		73.6° - 17.8°	
	V		73.6° - 17.8°		55.1° - 13.3°	
Coil	Drive	190Ω				
	Control	855Ω				
Operating Temperature	-10° C - +50°C					

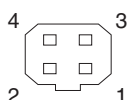
M.O.D : Minimum Object Distance

CS

Dimensions



Wiring Diagram



Pin No.

1	BROWN	Control (-)
2	RED	Control (+)
3	YELLOW	Drive (+)
4	ORANGE	Drive (-)