

TG4Z2813AFCS

4X 2.8mm - 12mm F1.3
for 1/3 type Cameras, Vari-focal Auto Iris VIDEO Drive
CS-Mount

with Focus and Amplifier

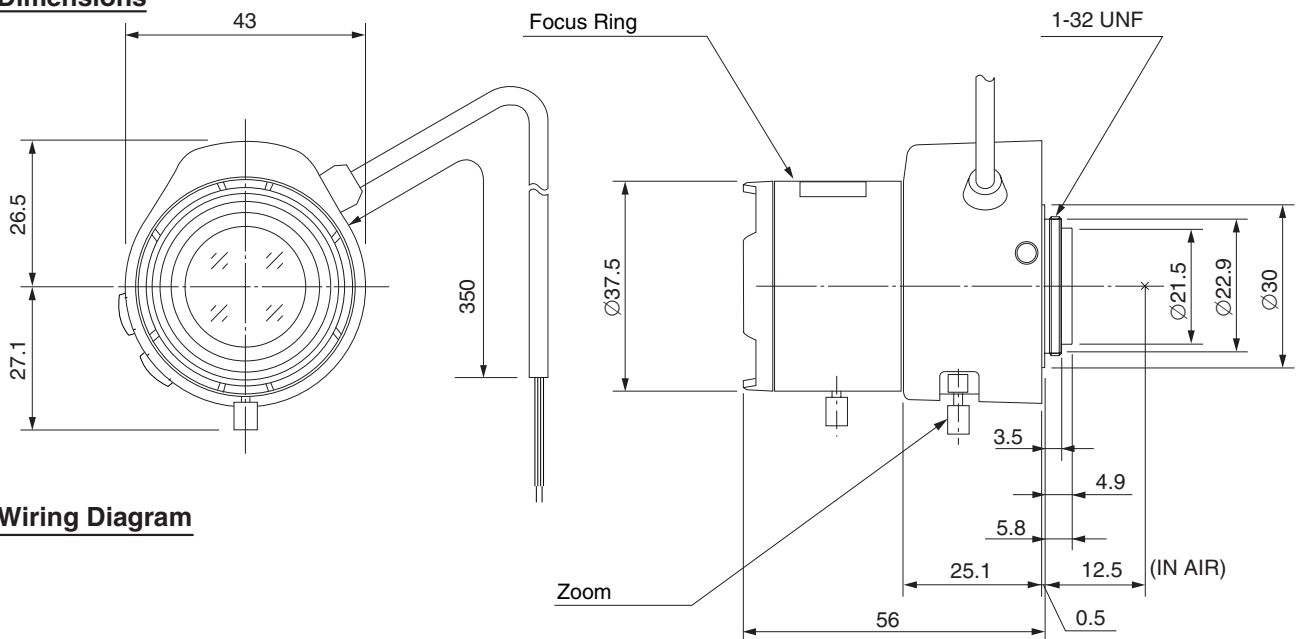
1/3
type

CS

Model No.	TG4Z2813AFCS		Effective	Front	Ø22.0mm	
Focal Length	2.8mm - 12mm		Lens Aperture	Rear	Ø8.8mm	
Max. Aperture Ratio	1:1.3		Back Focal	Tele	20.2mm	
Max. Image Format	4.8mm x 3.6mm(Ø6mm)			Length	Wide	8.1mm
Operation Range	Iris	F1.3 - F360		Flange Back Length		12.5mm
	Focus	0.3m - Inf.		Mount		CS-Mount
	Zoom	2.8mm - 12mm		Filter Size		—
Control	Iris	Video Auto Iris		Dimensions		Ø37.5mm x 48mm x 56mm
	Focus	Manual		Weight		72g
	Zoom	Manual				
Object Dimension at M.O.D.	2.8mm	69.3cm x 44.9cm				
	12mm	12.6cm x 9.4cm				
Angle of View	D	1/3 type	121.8° - 29.6°	1/4 type	92.1° - 22.2°	
	H		98.2° - 23.8°		73.6° - 17.8°	
	V		73.6° - 17.8°		55.1° - 13.3°	
Supply Voltage	DC8.5V - DC16V					
Current	Less than 35mA					
Response Time	Approx. 2 sec.					
Light Weighting Method	Adjustable between Average - Peak (to be Set at Average at Factory)					
Input Signal	Video Signal (V. or V.S.)					
Iris Accuracy	± 15% at Video Signal Level					
Sensitivity Adjustment	0.5V(p-p) - 1.0V(p-p) (Video Signal)					
Input Impedance	High Impedance					
Operating Temperature	-20°C - +50°C					

M.O.D. : Minimum Object Distance

Dimensions



Wiring Diagram

