

# TG3Z3510AFCS

**3X 3.5mm - 10.5mm F1.0**  
**for 1/3 type Cameras, Vari-focal Auto Iris VIDEO Drive**  
**CS-Mount**

with Focus and Amplifier

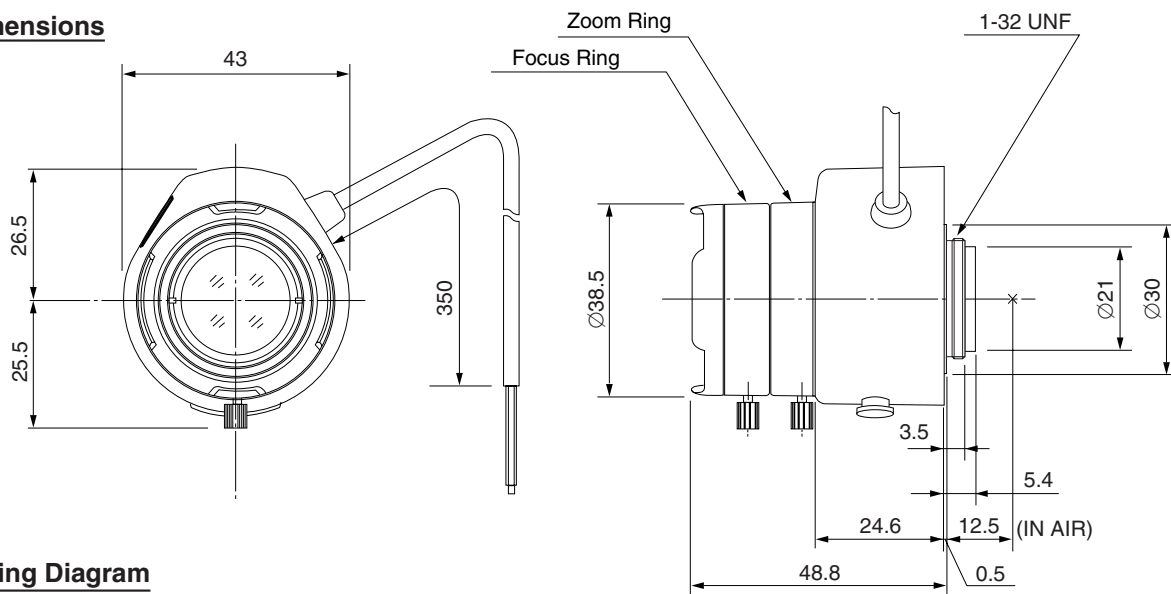
**1/3**  
type

**CS**

Model No.	TG3Z3510AFCS		Effective	Front	Ø18.5mm	
Focal Length	3.5mm - 10.5mm		Lens Aperture	Rear	Ø10.1mm	
Max. Aperture Ratio	1:1.0		Back Focal	Tele	16.3mm	
Max. Image Format	4.8mm x 3.6mm(Ø6mm)			Length	Wide	8mm
Operation Range	Iris	F1.0 - F360C		Flange Back Length		12.5mm
	Focus	0.3m - Inf.		Mount		CS-Mount
	Zoom	3.5mm - 10.5mm		Filter Size		—
Control	Iris	Video Auto Iris		Dimensions		Ø38.5mm x 48mm x 48.8mm
	Focus	Manual		Weight		70g
	Zoom	Manual				
Object Dimension at M.O.D.	3.5mm	51.8cm x 34.1cm				
	10.5mm	14.5cm x 10.8cm				
Angle of View	D	1/3 type	108.4° - 34.2°	1/4 type	75.9° - 25.5°	
	H		81.6° - 27.2°		59.2° - 20.4°	
	V		59.2° - 20.4°		43.8° - 15.3°	
Supply Voltage	DC8.5V - DC16V					
Current	Less than 40mA					
Response Time	Approx. 2 sec.					
Light Weighting Method	Adjustable between Average - Peak (to be Set at Average at Factory)					
Input Signal	Video Signal (V. or V.S.)					
Iris Accuracy	± 15% at Video Signal Level					
Sensitivity Adjustment	0.5V(p-p) - 1.0V(p-p) (Video Signal)					
Input Impedance	High Impedance					
Operating Temperature	-20°C - +50°C					

M.O.D. : Minimum Object Distance

**Dimensions**



**Wiring Diagram**

