

TG3Z2312AFCS

3X 2.3mm - 6mm F1.2
for 1/3 type Cameras, Vari-focal Auto Iris VIDEO Drive
CS-Mount

with Focus and Amplifier

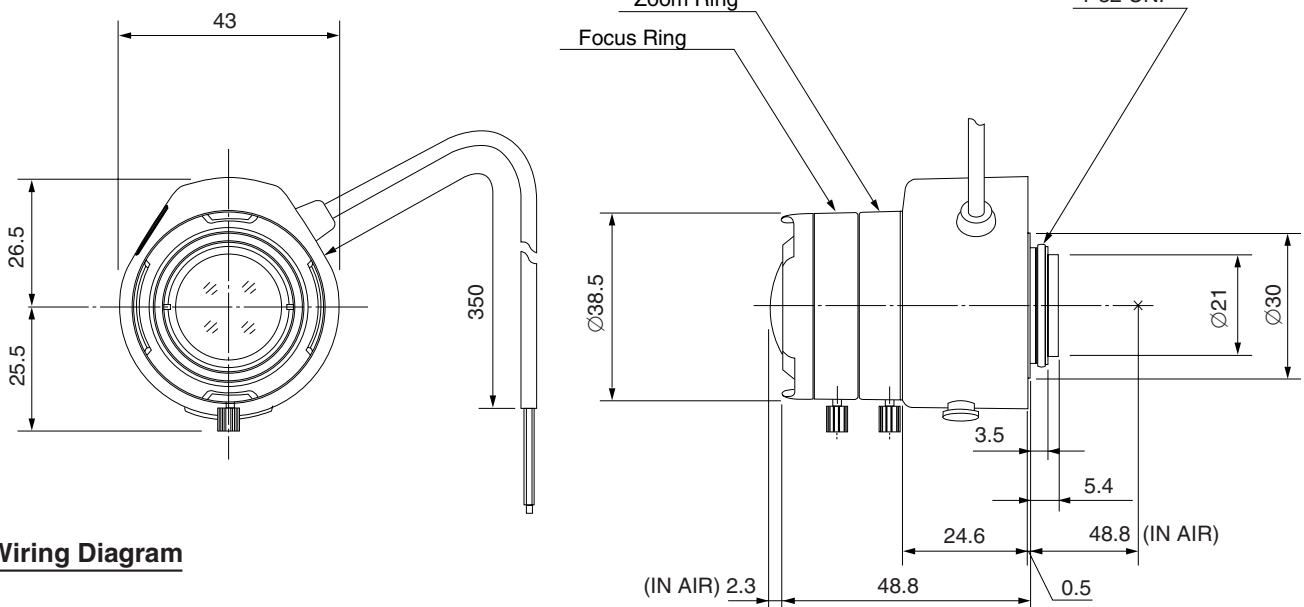
1/3
type

CS

Model No.	TG3Z2312AFCS		Effective	Front	Ø19.5mm
Focal Length	2.3mm - 6mm		Lens Aperture	Rear	Ø9.0mm
Max. Aperture Ratio	1:1.2		Back Focal Length	Tele	15mm
Max. Image Format	4.8mm x 3.6mm(Ø6mm)			Wide	8mm
Operation Range	Iris	F1.2 - F360C	Flange Back Length		12.5mm
	Focus	0.3m - Inf.	Mount		CS-Mount
	Zoom	2.3mm - 6mm	Filter Size		—
Control	Iris	Video Auto Iris	Dimensions		Ø38.5mm x 48.0mm x 51.1mm
	Focus	Manual	Weight		80g
	Zoom	Manual			
Object Dimension at M.O.D.	2.3mm	93.8cm x 56cm			
	6mm	26.8cm x 19.6cm			
Angle of View	D	1/3 type	143.8° - 60.0°	1/4 type	107.7° - 45.1°
	H		114.8° - 48.2°		86.0° - 36.2°
	V		86.0° - 36.2°		64.5° - 27.1°
Supply Voltage	DC8.5V - DC16V				
Current	Less than 35mA				
Response Time	Approx. 2 sec.				
Light Weighting Method	Adjustable between Average - Peak (to be Set at Average at Factory)				
Input Signal	Video Signal (V. or V.S.)				
Iris Accuracy	± 15% at Video Signal Level				
Sensitivity Adjustment	0.5V(p-p) - 1.0V(p-p) (Video Signal)				
Input Impedance	High Impedance				
Operating Temperature	-20°C - +50°C				

M.O.D. : Minimum Object Distance

Dimensions



Wiring Diagram

