

TG2Z2814AFCS-2

2X 2.8mm - 6mm F1.4
for 1/3 type Cameras, Vari-focal Auto Iris VIDEO Drive
CS-Mount

with Focus and Amplifier

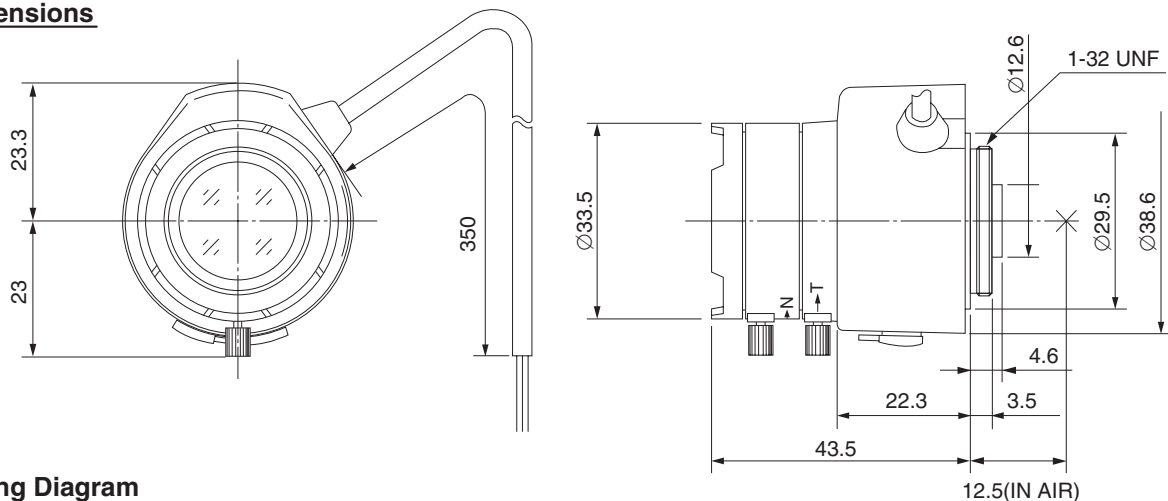
1/3
type

CS

Model No.	TG2Z2814AFCS-2		Effective	Front	Ø18.2mm	
Focal Length	2.8mm - 6mm		Lens Aperture	Rear	Ø9.2mm	
Max. Aperture Ratio	1:1.4		Back Focal	Tele	12.8mm	
Max. Image Format	4.8mm x 3.6mm(Ø6mm)		Length	Wide	8.3mm	
Operation Range	Iris	F1.4 - F360C	Flange Back Length		12.5mm	
	Focus	0.3m - Inf.	Mount		CS-Mount	
	Zoom	2.8mm - 6mm	Filter Size		—	
Control	Iris	Video Auto Iris	Dimensions		Ø33.5mm x 42.6mm x 43.5mm	
	Focus	Manual	Weight		55g	
	Zoom	Manual				
Object Dimension at M.O.D.	2.8mm	66.6cm x 43.4cm				
	6mm	26.2cm x 19.1cm				
Angle of View	D	1/3 type	120.0° - 58.8°	1/4 type	90.1° - 44.4°	
	H		96.0° - 47.2°		71.8° - 35.4°	
	V		71.8° - 35.4°		53.8° - 26.6°	
Supply Voltage	DC8V - DC16V					
Current	Less than 35mA					
Response Time	Approx. 2 sec.					
Light Weighting Method	Adjustable between Average - Peak (to be Set at Average at Factory)					
Input Signal	Video Signal (V. or V.S.)					
Iris Accuracy	± 15% at Video Signal Level					
Sensitivity Adjustment	0.5V(p-p) - 1.0V(p-p) (Video Signal)					
Input Impedance	High Impedance					
Operating Temperature	-20°C - +50°C					

M.O.D. : Minimum Object Distance

Dimensions



Wiring Diagram

