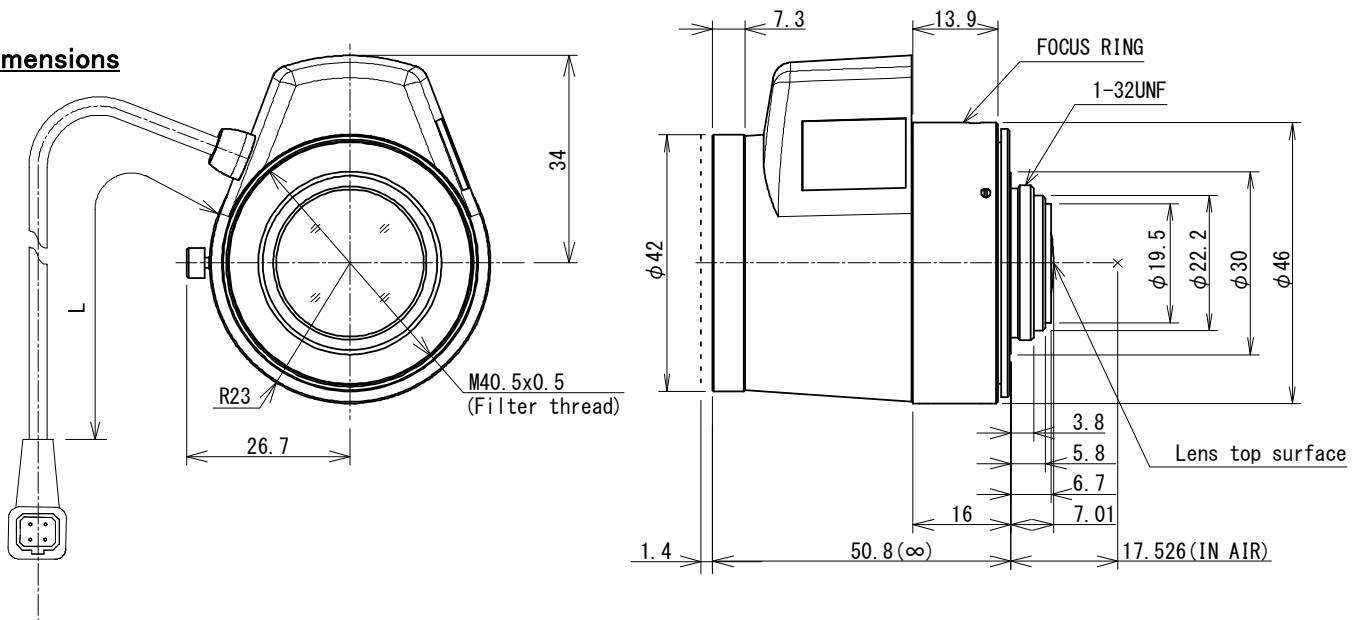


# VG2518KC-MPYIR

**f=25mm F1.8 Day & Night**  
**for 1.1 type 12Megapixel Cameras, Fixed-focal, Stepping Motor Iris**  
**C-Mount**

Model No.	VG2518KC-MPYIR		Effective	Front	φ 23.6mm		
Focal Length	25mm		Lens Aperture	Rear	φ 16.6mm		
Max. Aperture Ratio	1:1.8		Back Focal Length		10.6mm		
Max. Image Format	14.2mm x 10.4mm(φ 17.6mm)		Flange Back Length		17.526mm		
Operation Range	Iris	F1.8 - F16C		Mount	C-Mount		
	Focus	1m - Inf.		Filter Size	M40.5 P=0.5		
	Zoom	-		Dimensions	φ 42mm × 57mm × 50.8mm		
Control	Iris	Stepping Motor		Weight	127.0g		
	Focus	Manual					
	Zoom	-					
Angle of View	D	1.1 type	38.8°	1 type	35.6°	2/3 type	24.9°
	H		31.8°		28.8°		20.0°
	V		23.6°		21.8°		15.1°
Operating Temperature	-10°C - +50°C						

**Dimensions**



**Wiring Diagram**

