

# HG4018AFCS

**36mm F1.8**  
**for 1/2 type Cameras, Fixed-focal Auto Iris VIDEO Drive**  
**CS-Mount**

with Focus and Amplifier

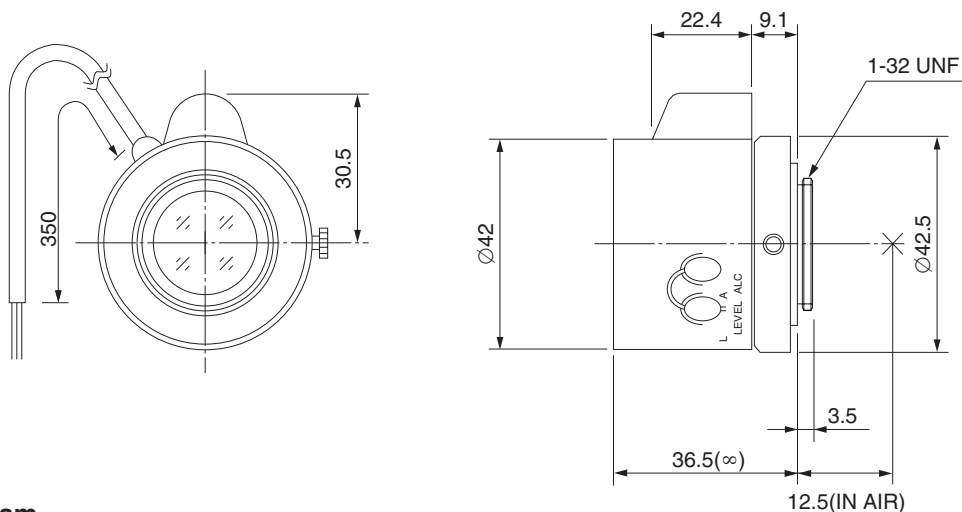
Model No.	HG4018AFCS		Effective	Front	Ø19.0mm		
Focal Length	36mm		Lens Aperture	Rear	Ø8.6mm		
Max. Aperture Ratio	1:1.8		Back Focal Length		9.6mm		
Max. Image Format	6.4mm x 4.8mm(Ø8mm)		Flange Back Length		12.5mm		
Operation Range	Iris	F1.8 - F125C	Mount		CS-Mount		
	Focus	1.1m - Inf.	Filter Size		M40.5P=0.5mm		
Control	Iris	Video Auto Iris	Dimensions		Ø42mm x 51.5mm x 36.5mm		
	Focus	Manual	Weight		76g		
Object Dimension at M.O.D.	20cm x 14.6cm						
Angle of View	D	1/2 type	13.4°	1/3 type	10.0°	1/4 type	7.4°
	H		10.6°		7.9°		5.9°
	V		7.9°		5.9°		4.4°
Supply Voltage	DC8V - DC16V						
Current	Less than 35mA						
Response Time	Approx. 2 sec.						
Light Weighting Method	Adjustable between Average - Peak (to be Set at Average at Factory)						
Input Signal	Video Signal (V. or V.S.)						
Iris Accuracy	±15% at Video Signal Level						
Sensitivity Adjustment	0.5V(p-p) - 1.0V(p-p) (Video Signal)						
Input Impedance	High Impedance						
Operating Temperature	-20°C - +50°C						

**1/2**  
type

**CS**

M.O.D : Minimum Object Distance

## Dimensions



## Wiring Diagram

