

HG0614AFCS-3

6mm F1.4
for 1/2 type Cameras, Fixed-focal Auto Iris VIDEO Drive
CS-Mount

with Focus and Amplifier

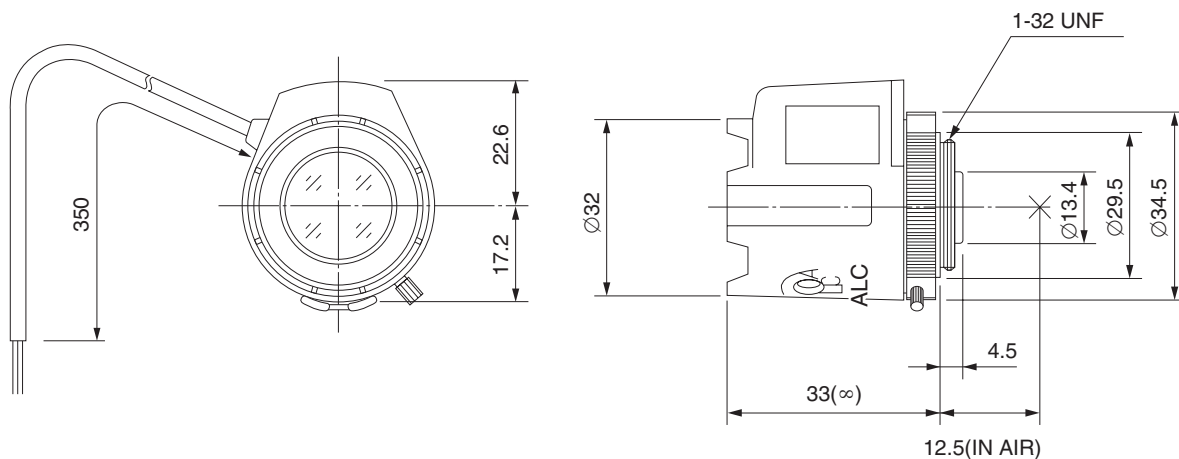
Model No.	HG0614AFCS-3		Effective	Front	Ø10.8mm		
Focal Length	6mm		Lens Aperture	Rear	Ø8.6mm		
Max. Aperture Ratio	1:1.4		Back Focal Length	8.2mm			
Max. Image Format	6.4mm x 4.8mm(Ø8mm)		Flange Back Length	12.5mm			
Operation Range	Iris	F1.4 - F360C		Mount	CS-Mount		
	Focus	0.2m - Inf.		Filter Size	—		
Control	Iris	Video Auto Iris		Dimensions	Ø32mm x 39.8mm x 33mm		
	Focus	Manual		Weight	41g		
Object Dimension at M.O.D.	22.3cm x 16.3cm						
Angle of View	D	1/2 type	71.3°	1/3 type	55.0°	1/4 type	41.7°
	H		58.3°		44.3°		33.6°
	V		44.3°		33.6°		25.3°
Supply Voltage	DC8V - DC16V						
Current	Less than 35mA						
Response Time	Approx. 2 sec.						
Light Weighting Method	Adjustable between Average - Peak (to be Set at Average at Factory)						
Input Signal	Video Signal (V. or V.S.)						
Iris Accuracy	±15% at Video Signal Level						
Sensitivity Adjustment	0.5V(p-p) - 1.0V(p-p) (Video Signal)						
Input Impedance	High Impedance						
Operating Temperature	-20°C - +50°C						

1/2 type

CS

M.O.D : Minimum Object Distance

Dimensions



Wiring Diagram

