

TG2010FCS-HSP

2mm F1.0

for 1/3 type Cameras, Aspherical High Speed Auto Iris DC Drive

CS-Mount

with Focus, w/o Amplifier

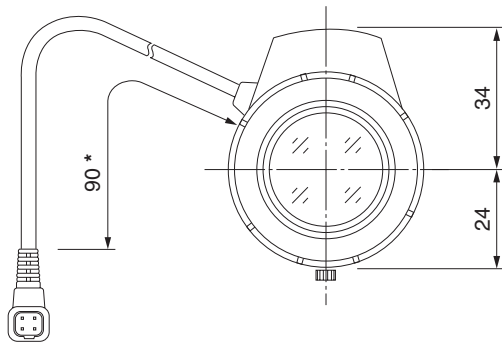
1/3 type

Model No.	TG2010FCS-HSP		Effective Lens Aperture	Front	Ø28.5mm
Focal Length	2mm			Rear	Ø13.7mm
Max. Aperture Ratio	1:1.0		Back Focal Length	8.5mm	
Max. Image Format	4.8mm x 3.6mm(Ø6mm)		Flange Back Length	12.5mm	
Operation Range	Iris	F1.0 - F360C	Mount	CS-Mount	
	Focus	0.1m - Inf.	Filter Size	—	
Control	Iris	DC Auto Iris	Dimensions	Ø48mm x 58mm x 58.2mm	
	Focus	Manual	Weight	148g	
Object Dimension at M.O.D.	36.5cm x 22.1cm				
Angle of View	D	1/3 type	144.9°	1/4 type	116.3°
	H			95.7°	
	V			73.3°	
Coil	Drive	190Ω			
	Control	1000Ω			
Operating Temperature	-20°C - +50°C				

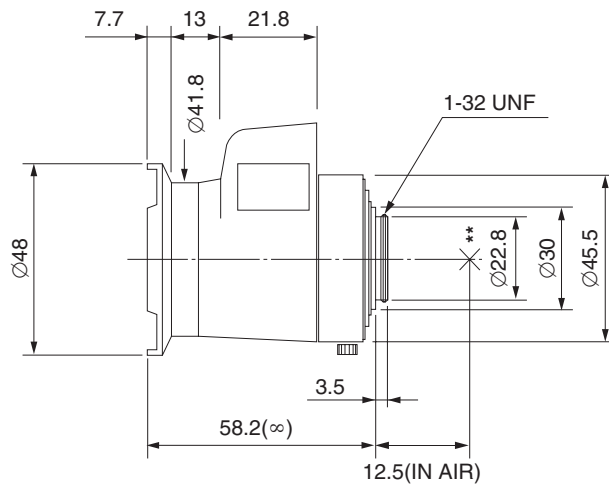
M.O.D : Minimum Object Distance

Dimensions

CS



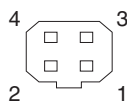
* : 310mm cable is available



** : for B/W camera

Using with a B/W camera, please use the attached "B/W aberration compensation filter" and "FB compensation spacer". The filter(M22 P=0.5mm) should be screwed onto the lens from rear side and the spacer should be placed between lens and camera.

Wiring Diagram



Pin No.

1	BROWN	Control (-)
2	RED	Control (+)
3	YELLOW	Drive (+)
4	ORANGE	Drive (-)