

# TG2010AFCS-HSP

**2mm F1.0**  
**for 1/3 type Cameras, Aspherical High Speed Auto Iris VIDEO Drive**  
**CS-Mount**

with Focus and Amplifier

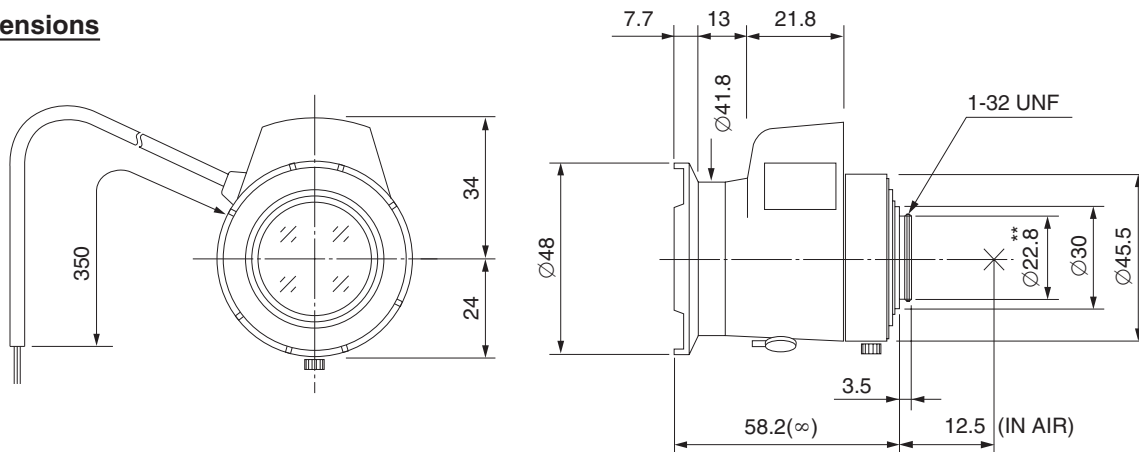
Model No.	TG2010AFCS-HSP		Effective	Front	∅28.5mm	
Focal Length	2mm		Lens Aperture	Rear	∅13.7mm	
Max. Aperture Ratio	1:1.0		Back Focal Length	8.5mm		
Max. Image Format	4.8mm x 3.6mm(∅6mm)		Flange Back Length	12.5mm		
Operation Range	Iris	F1.0 - F360C	Mount	CS-Mount		
	Focus	0.1m - Inf.	Filter Size	—		
Control	Iris	Video Auto Iris	Dimensions	∅48mm x 58mm x 58.2mm		
	Focus	Manual	Weight	158g		
Object Dimension at M.O.D.	36.5cm x 22.1cm					
Angle of View	D	1/3 type	144.9°	1/4 type	116.3°	
	H					122.6°
	V					95.7°
Supply Voltage	DC8V - DC16V					
Current	Less than 35mA					
Response Time	Approx. 2 sec.					
Light Weighting Method	Adjustable between Average - Peak (to be Set at Average at Factory)					
Input Signal	Video Signal (V. or V.S.)					
Iris Accuracy	±15% at Video Signal Level					
Sensitivity Adjustment	0.5V(p-p)-1.0V(p-p) (Video Signal)					
Input Impedance	High Impedance					
Operating Temperature	-20°C - +50°C					

**1/3**  
type

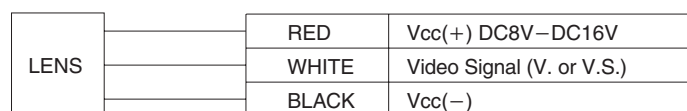
**CS**

M.O.D : Minimum Object Distance

**Dimensions**



**Wiring Diagram**



**\*\* : for B/W camera**  
 Using with a B/W camera, please use the attached "B/W aberration compensation filter" and "FB compensation spacer". The filter(M22 P=0.5mm) should be screwed onto the lens from rear side and the spacer should be placed between lens and camera.