

HG2610AFCS-HSP

2.6mm F1.0
for 1/2 type Cameras, Aspherical High Speed Auto Iris VIDEO Drive
CS-Mount

with Focus and Amplifier

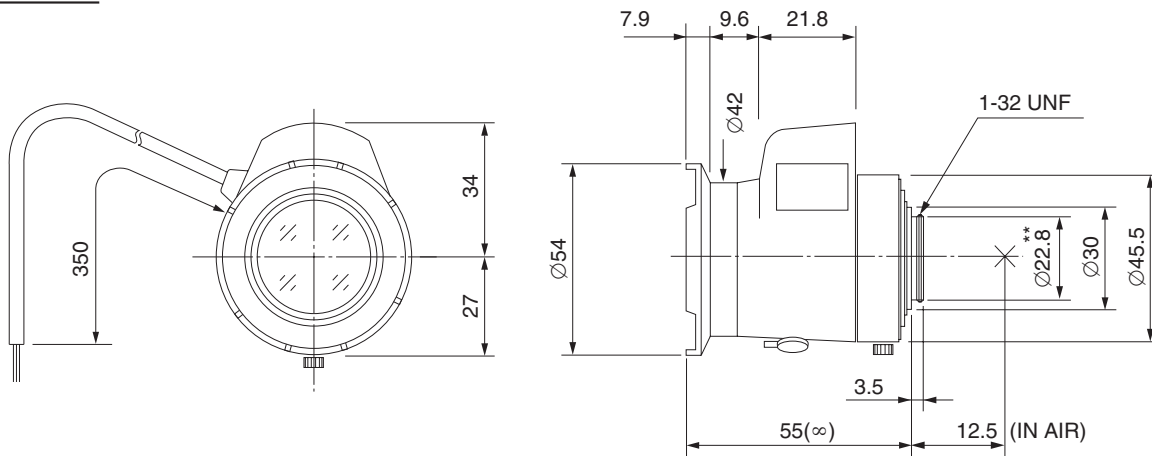
Model No.	HG2610AFCS-HSP		Effective	Front	Ø30.0mm		
Focal Length	2.6mm		Lens Aperture	Rear	Ø13.7mm		
Max. Aperture Ratio	1:1.0		Back Focal Length		8.5mm		
Max. Image Format	6.4mm x 4.8mm(Ø8mm)		Flange Back Length		12.5mm		
Operation Range	Iris	F1.0 - F360C		Mount	CS-Mount		
	Focus	0.1m - Inf.		Filter Size	—		
Control	Iris	Video Auto Iris		Dimensions	Ø54mm x 61mm x 55mm		
	Focus	Manual		Weight	153g		
Object Dimension at M.O.D.	36.7cm x 22.6cm						
Angle of View	D	1/2 type	143.5°	1/3 type	116.9°	1/4 type	91.9°
	H		122.8°		97.2°		75.1°
	V		97.1°		75.1°		57.2°
Supply Voltage	DC8V - DC16V						
Current	Less than 35mA						
Response Time	Approx. 2 sec.						
Light Weighting Method	Adjustable between Average - Peak (to be Set at Average at Factory)						
Input Signal	Video Signal (V. or V.S.)						
Iris Accuracy	±15% at Video Signal Level						
Sensitivity Adjustment	0.5V(p-p) - 1.0V(p-p) (Video Signal)						
Input Impedance	High Impedance						
Operating Temperature	-20°C - +50°C						

1/2
type

CS

M.O.D : Minimum Object Distance

Dimensions



**** : for B/W camera**
 Using with a B/W camera, please use the attached "B/W aberration compensation filter" and "FB compensation spacer". The filter(M22 P=0.5mm) should be screwed onto the lens from rear side and the spacer should be placed between lens and camera.

Wiring Diagram

